



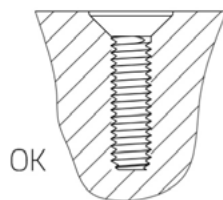
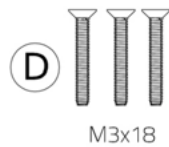
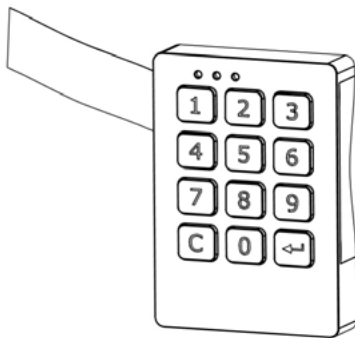
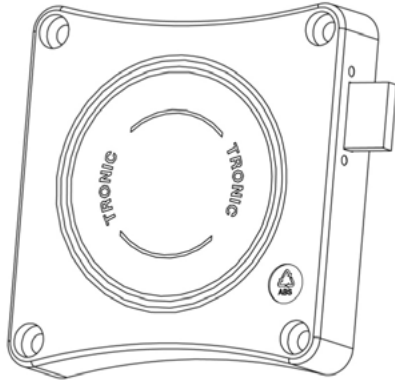
TECHNICAL DATA SHEET
LOCKS

TELEC

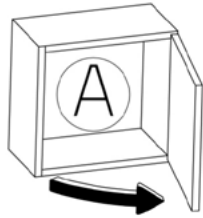
by  **MEGABLOK**



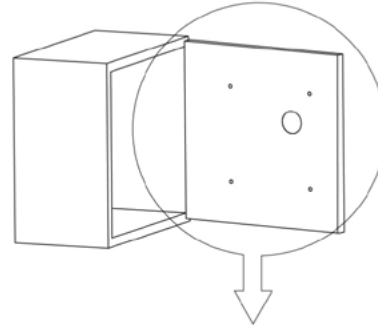
INSTALLATION AND ASSEMBLY



INSTALLATION AND ASSEMBLY

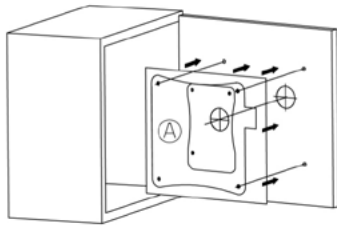


RIGHT HAND DOOR

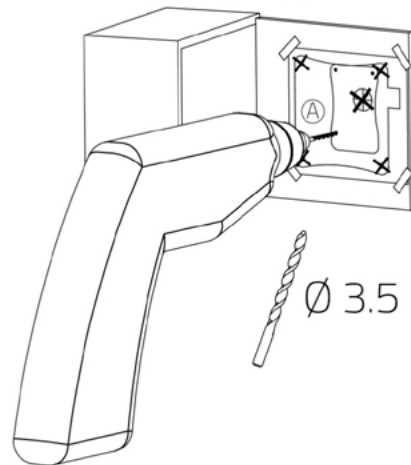


DOOR WITH EXISTING COIN LOCK

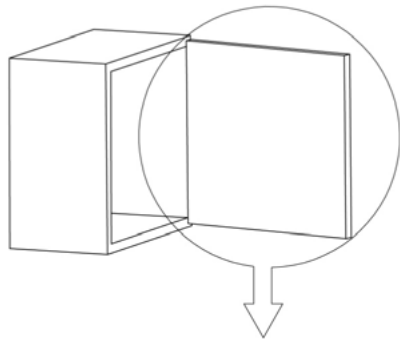
1



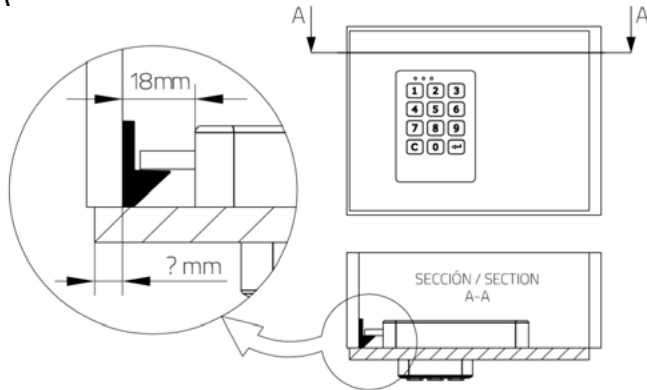
2



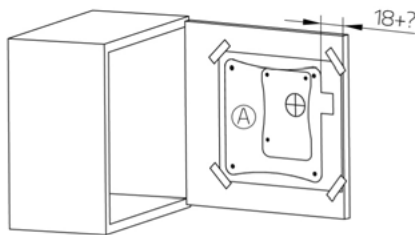
INSTALLATION AND ASSEMBLY



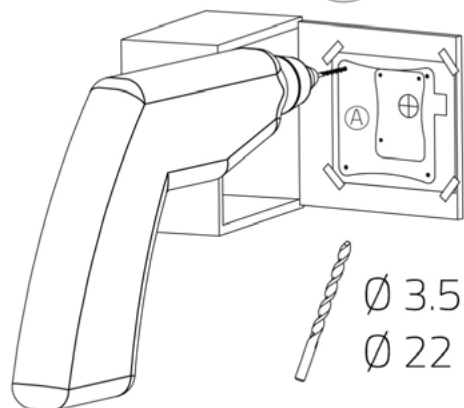
NEW DOOR



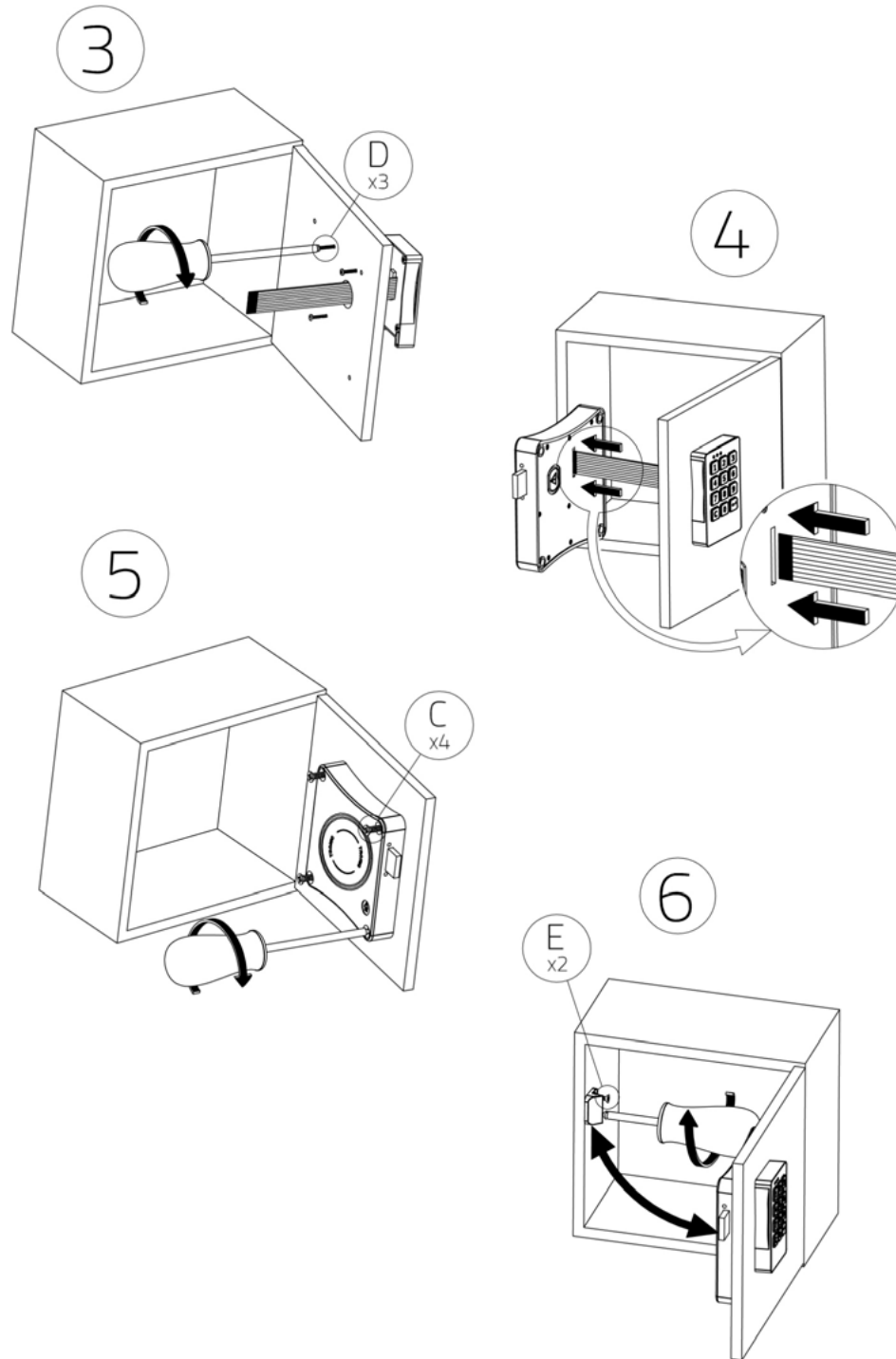
1



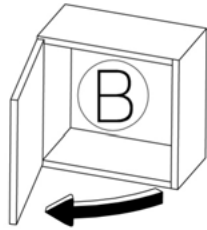
2



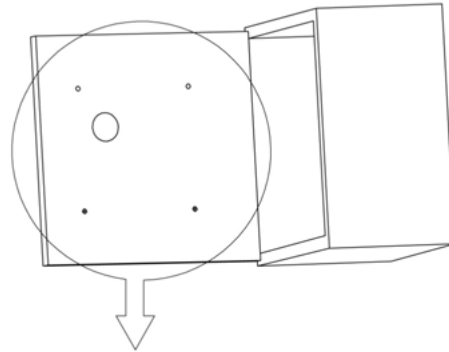
INSTALLATION AND ASSEMBLY



INSTALLATION AND ASSEMBLY

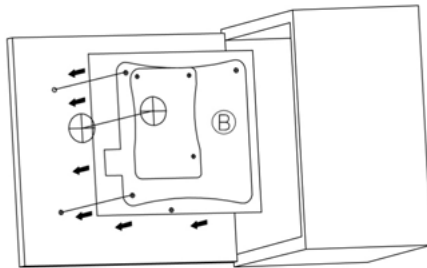


LEFT DOOR

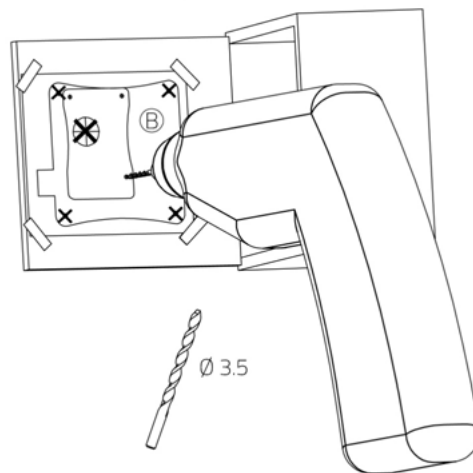


DOOR WITH EXISTING COIN LOCK

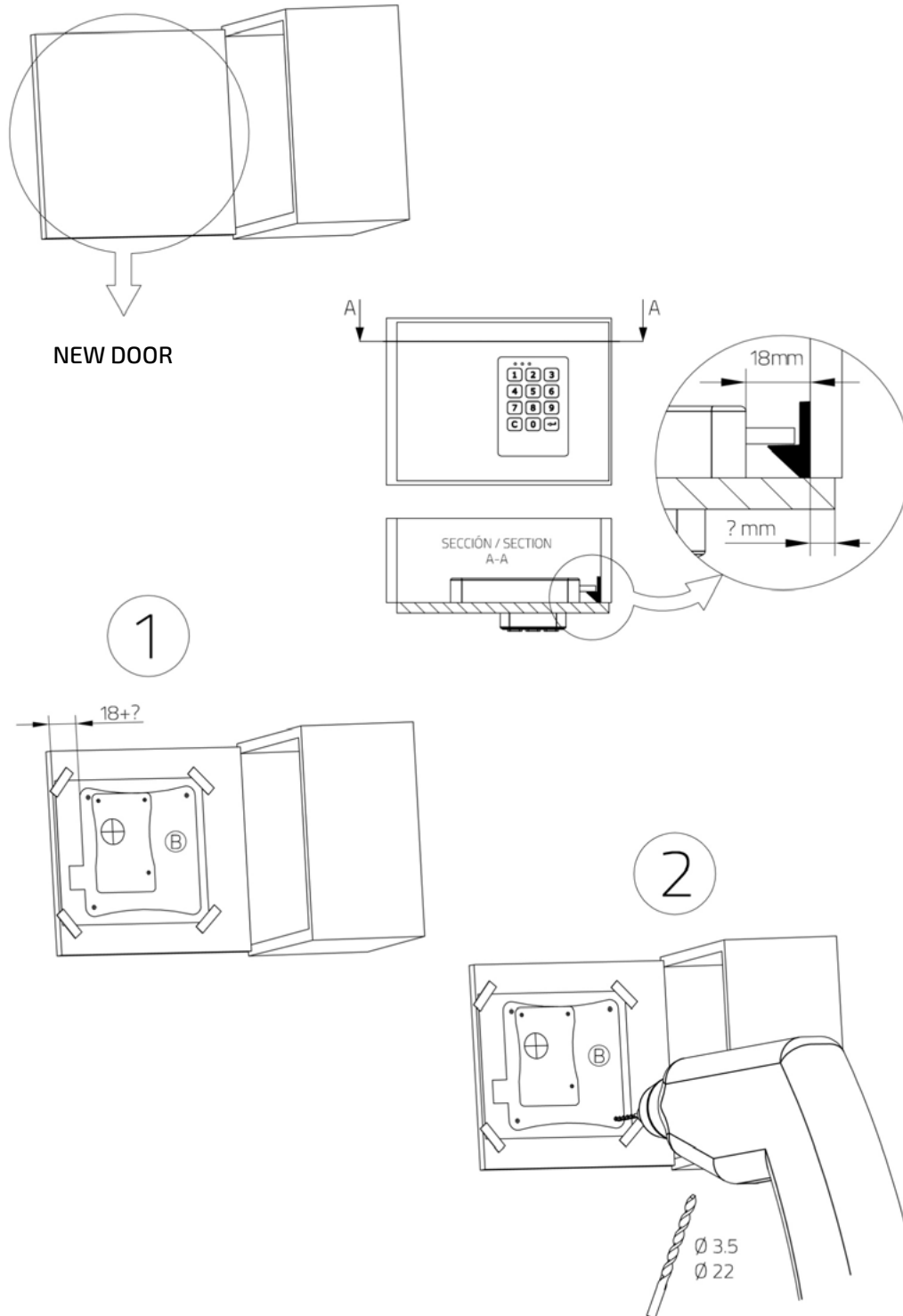
1



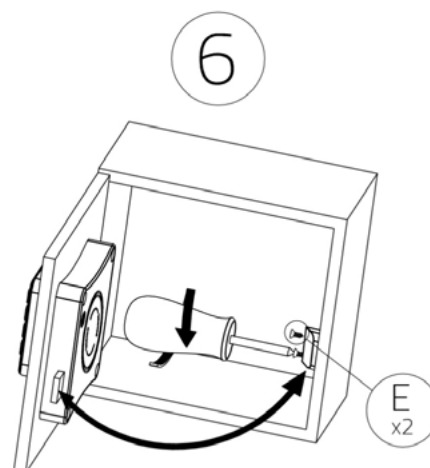
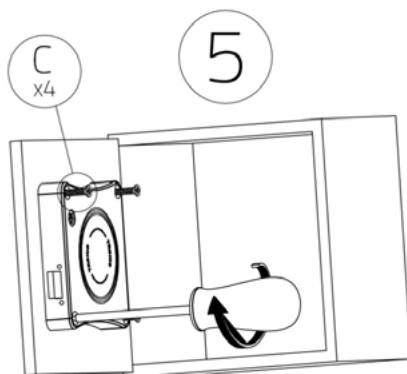
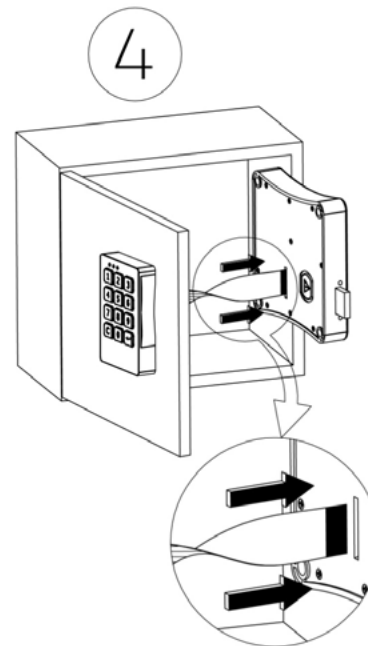
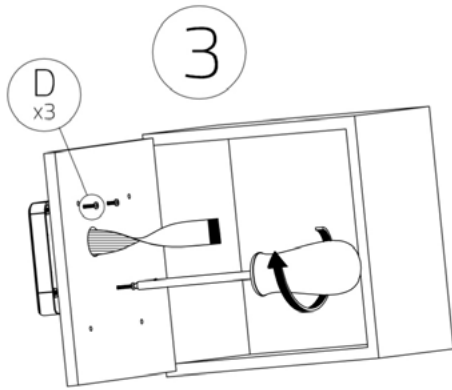
2



INSTALLATION AND ASSEMBLY



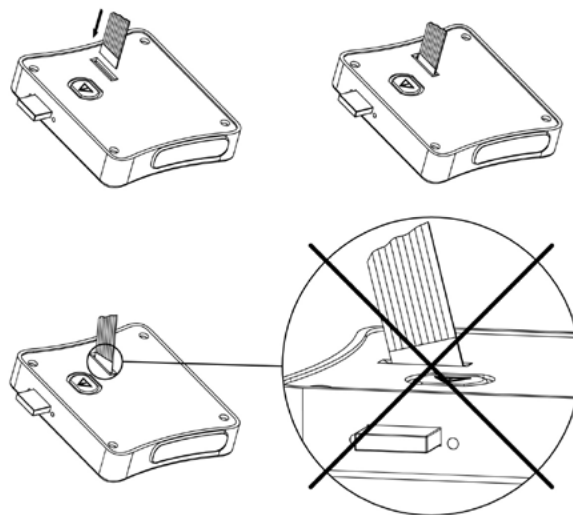
INSTALLATION AND ASSEMBLY



INSTALLATION AND ASSEMBLY

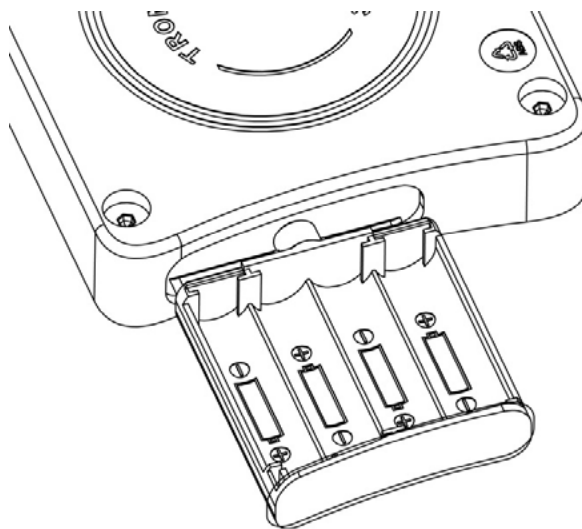
Check that the cable is correctly connected (straight and inserted as far as it will go).

Do not press any key while connecting the keypad hose to the lock.



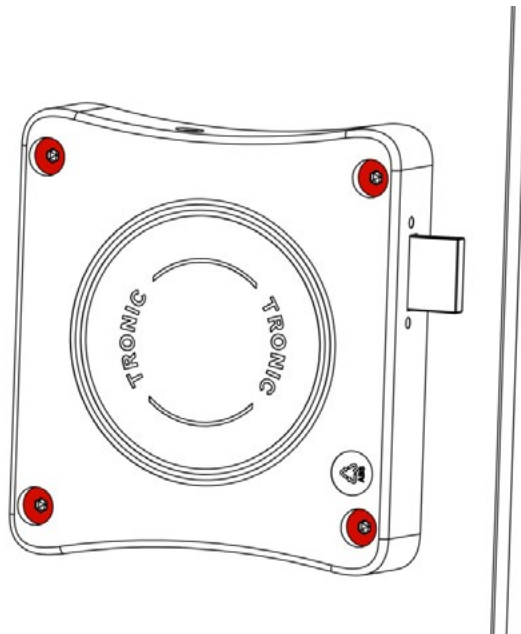
Check that the batteries are in the correct position (respecting the polarity indicated in the compartment).

Whenever the batteries are removed, leave the BATPACK connected at all times. Otherwise the internal clock of the lock will be disconnected.

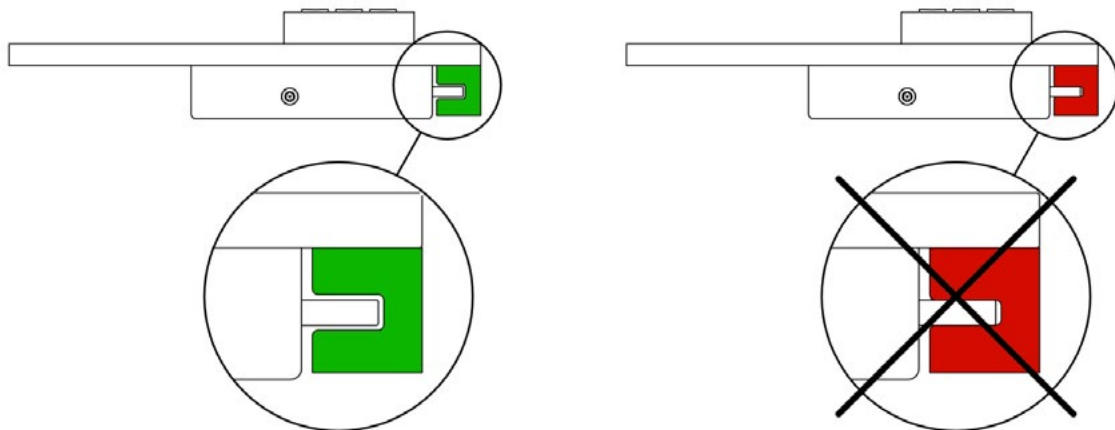


INSTALLATION AND ASSEMBLY

Verify that the four lock fixing screws are not excessively tight (<20Kgf/cm2).

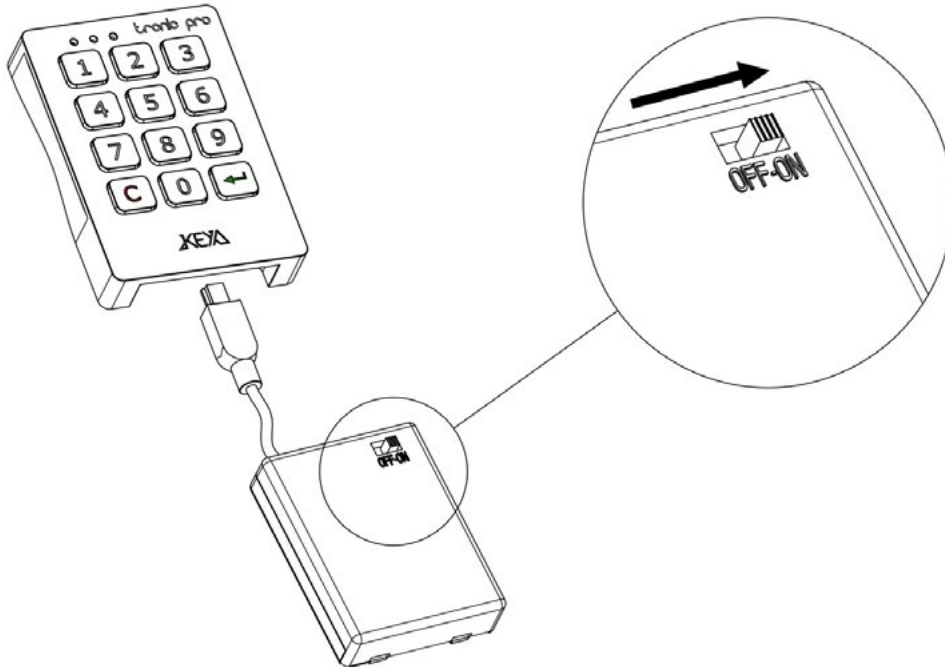


Verify that the latch opens and closes without hindrance (friction, interference against the frame).



INSTALLATION AND ASSEMBLY

The batteries have run out (need to be replaced):



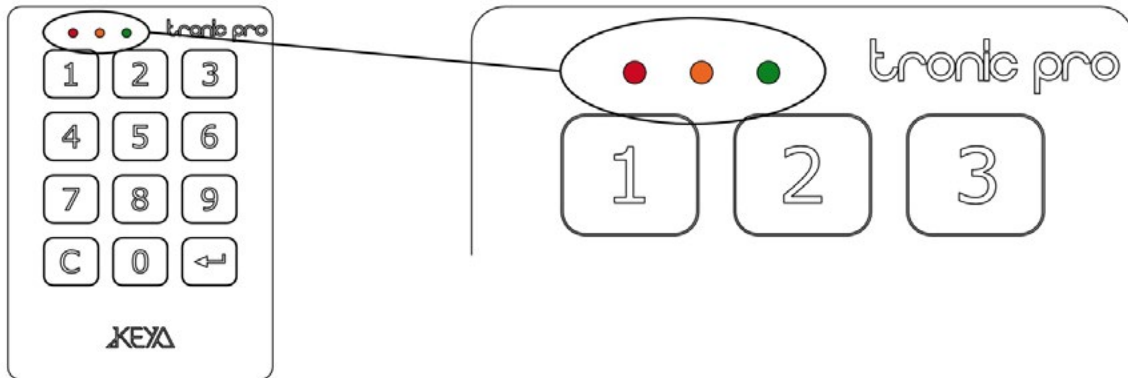
- 1- Connect the BATPACK to the lock using the mini USB connector as shown in the figure.
- 2- If the lock is locked, enter the user code (or the master code) to open the lock.
- 3- Replace the batteries and disconnect the BATPACK.

We recommend changing the batteries annually to ensure the good condition of the lock. Batteries, after long periods of time installed, can be damaged and damage the lock, especially in very hot environments.

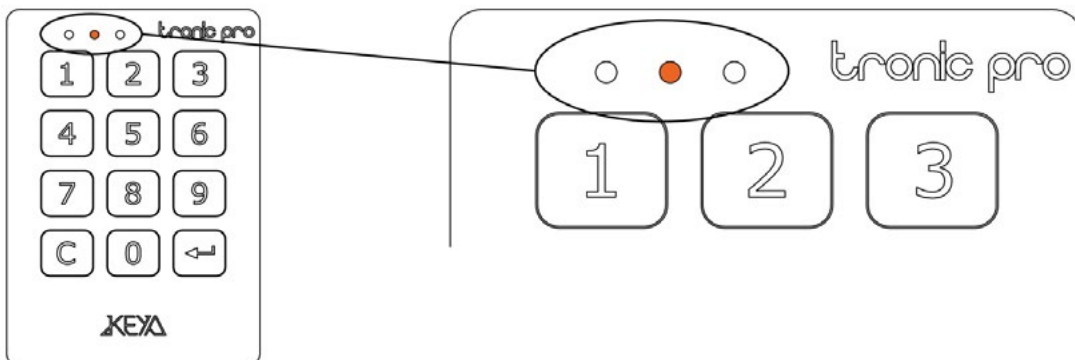
Do not clean the locks with cleaning products containing hydrochloric acid, bleach or corrosive components, especially on the metal parts.

INSTALLATION AND ASSEMBLY

When a valid code is entered and ENTER is pressed, all three LEDs flash at the same time and the lock does not work: Batteries exhausted: must be replaced.

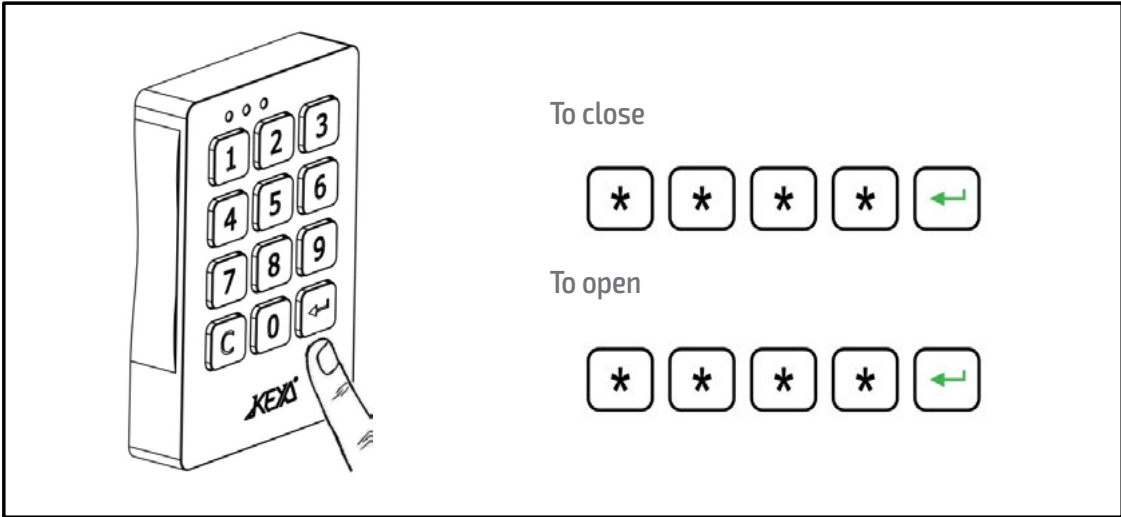


When any key is pressed, the central LED (yellow) flashes: Batteries about to run out or exhausted: must be replaced.



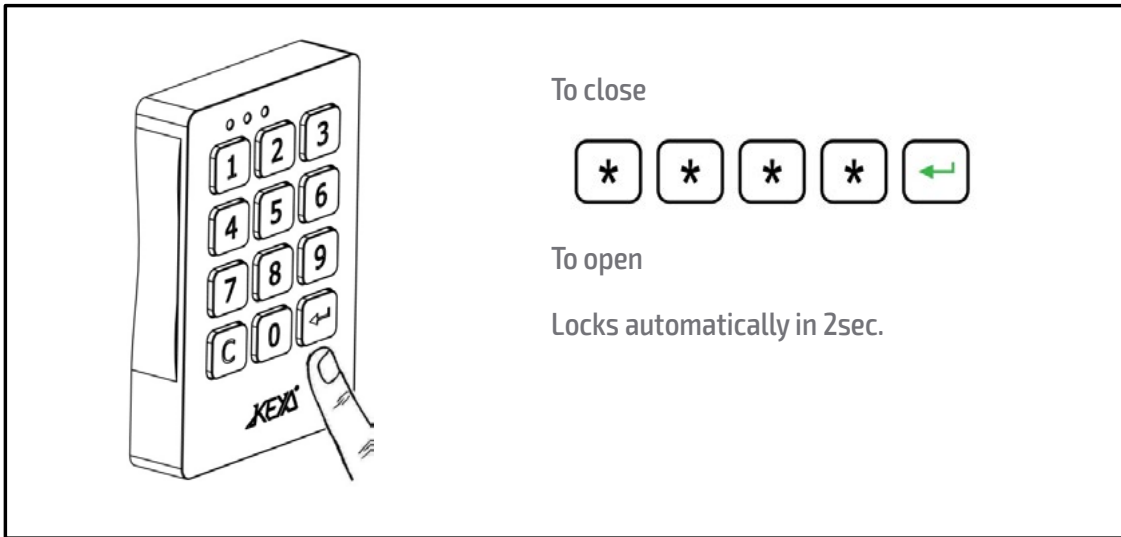
INSTRUCTIONS FOR USE

Multi-user version



Access via a 4-digit code. The code is erased each time the lock is opened, making it available to a new user.

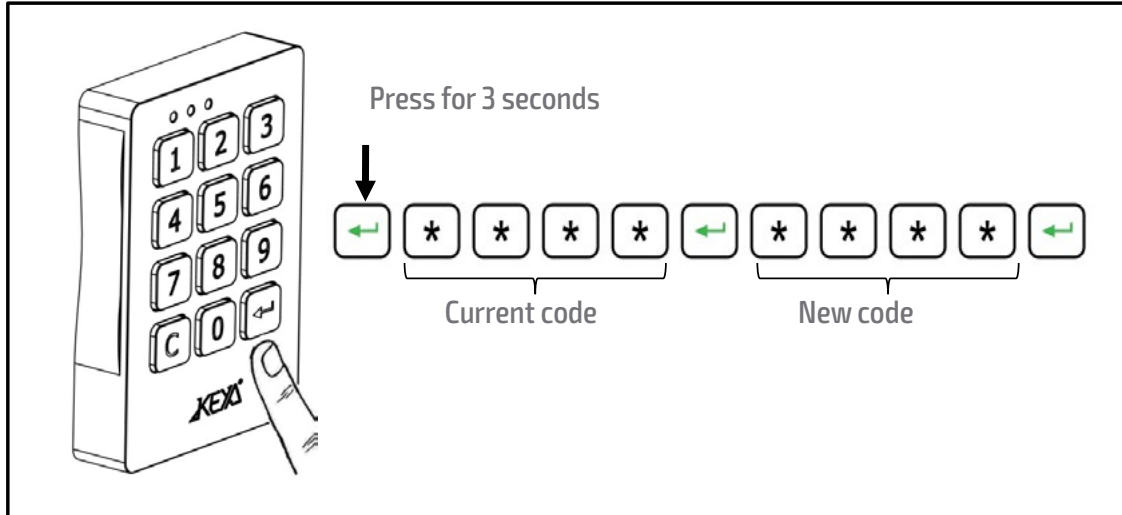
Subscriber version



Access via a 4-digit code. The code is configured for one user only.

INSTRUCTIONS FOR USE

User code change

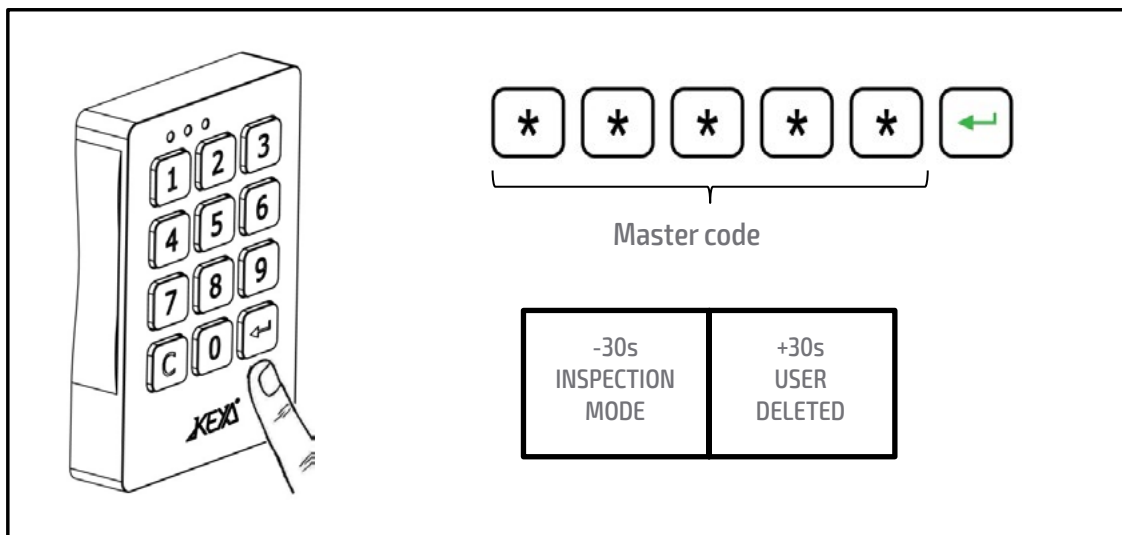


Press enter for 3 seconds.

Enter current code and press enter.

Enter new code and press enter.

Open with master code: Inspection mode / Delete user code

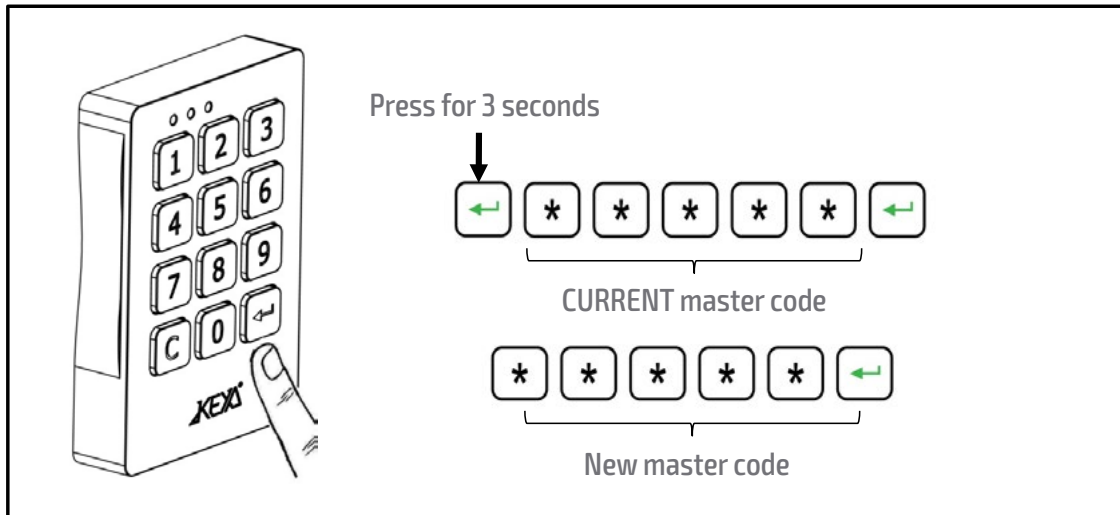


INSPECTION MODE: Enter the 5-digit Master code and press Enter. Close the lock by pressing Enter within 30 seconds. The User code is not deleted.

ERASE USER CODE: Enter the Master code and press Enter. After 30 seconds the lock remains open. The user code has been deleted, a new code will be required to close the lock again.

INSTRUCTIONS FOR USE

Master code change

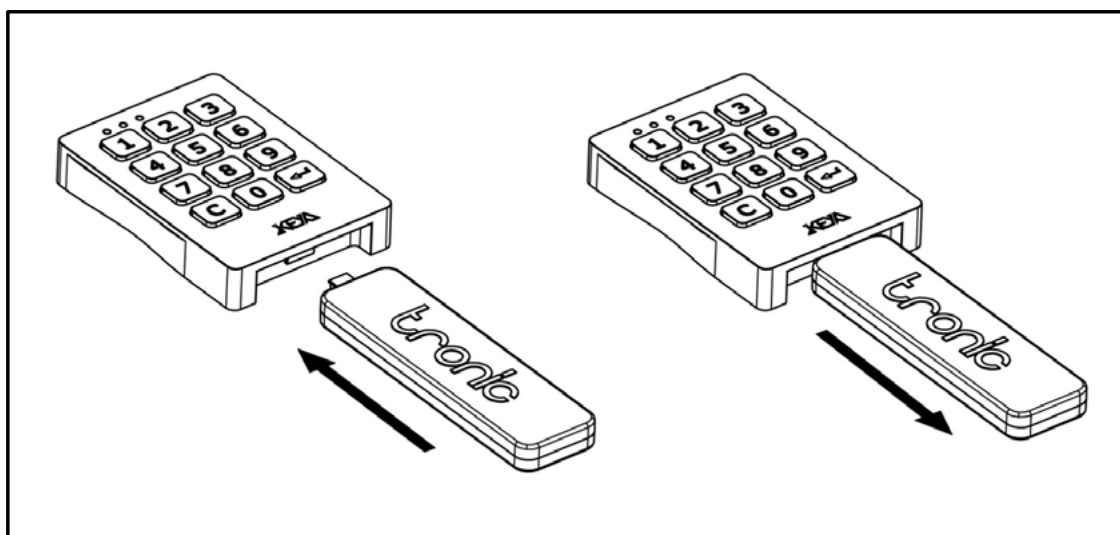


Press enter for 3 seconds.

Enter the current master code and press enter.

Enter the new master code and press enter.

Open with master electronic key: Inspection mode / Delete user code



INSPECTION MODE: Connect the Master key (BLUE). The lock opens. Remove the electronic key. Press Enter within 30 seconds. The User code is not deleted.

CLEAR USER CODE: Connect the Master key (BLUE). The lock opens. Remove the electronic key. After 30 seconds the user code will be erased. A new code will be required to close the lock again.

INSTRUCTIONS FOR USE

User code change

AUTOMATIC OPENING TIME:

The lock opens automatically at the programmed time:

- hh:mm
- Mon, Tue, Wed, Wed, Thu, Fri, Sat, Sat, Sun
- Working days
- Two options: Leave the door open or close the door again.

VOLUME ACOUSTIC SIGNAL:

- High / Low / Off

CLOSED POSITION INDICATOR LED:

- On / Off flashing red led in closed position.

CODES:

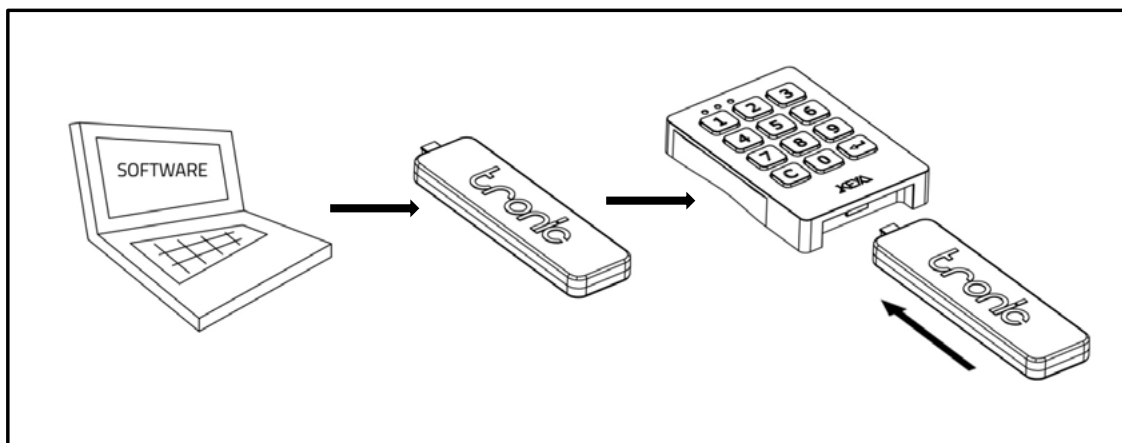
- User / Master

LAST EVENTS

BATTERY LEVEL

NUMBER OF OPERATIONS

Management key



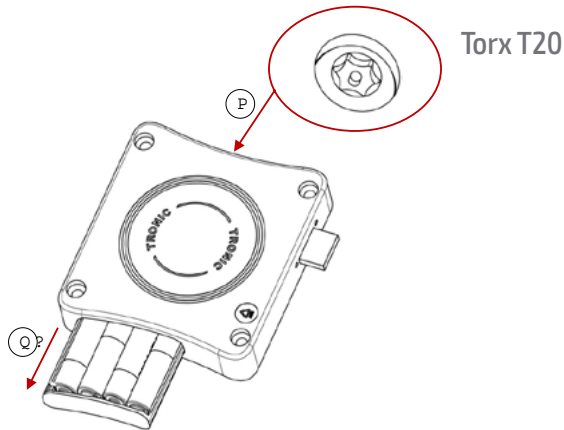
Upload settings from the computer to the Management key (BLACK).

Connect the Management key to the lock.

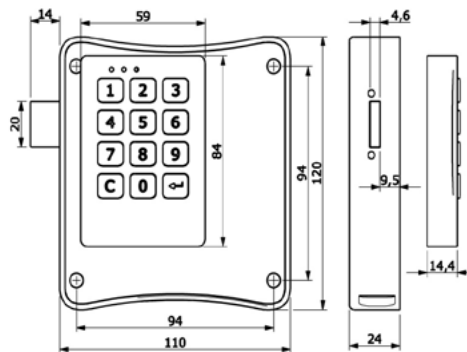
The parameters will be automatically transferred to the lock.

INSTRUCTIONS FOR USE

Abutment replacement



IMPORTANT: Battery replacement must be carried out in less than 5 minutes and with the BATPACK connected at all times (otherwise the internal clock will lose the time).



Technical specifications

Salt spray: >96h

Operating temperature: -5°C <>+70°C

Latch: : >45kgf

Ultraviolet rays: >10000h

Vibration: 10-20 hz 2g

Life cycles: >200000 cycles

Electrostatic discharge: 8000V

Battery life: >70000 cycles